

# Rotary Screw Compressors

## WHY ROTARY SCREW DESIGN?

The high technology design of a rotary screw air compressor excels in a high duty cycle operation. Our oil flooded air end makes this performance possible with an extensive oil reservoir. The oil and discharge air are continually cooled in a fashion similar to the radiator on a car engine. Oil is then separated from the discharge air and returned to the compressor.

Saylor-Beall rotary screws are compact in design, needing less floor space than with conventional products. Oil and air filters easily accessible making routine maintenance easy. When installed with an optional enclosure noise levels are reduced considerably. If you're looking for a full featured rotary screw compressor, you should choose Saylor-Beall.

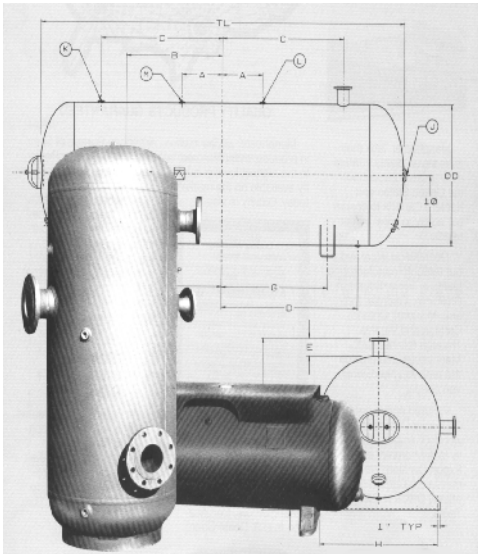
## SPECIFICATIONS

Motor Horse Power	Model	Delv'd CFM @ 125 psi	Drive Type	Oil Cap. (gallons)	Weight Lbs.	BASE MOUNTED		Tank Options**	Enclosure**
						Dimensions L"H"W inches	Cooling Fan Direction		
10	TMR10	40	Belt	1.5	310	28 x 34 x 22	Vertical	N/A	Standard
15	RSD15	51	Direct	2.5	550	59 x 29 x 34	Horizontal	120	Optional
20	RSD20	78	Direct	2.5	650	61 x 29 x 35	Horizontal	120/200	Optional
25	RSD25	106	Direct	2.5	750	62 x 29 x 35	Horizontal	120/200	Optional
30	RSD30	125*	Direct	3.5	825	64 x 36 x 37	Horizontal	200/240	Optional
40	RSD40	160	Direct	3.5	875	64 x 36 x 37	Horizontal	200/240	Optional
40	RSD40V	160	Direct	3.5	1050	59 x 36 x 46	Vertical	N/A	Optional
50	RSD50V	200	Direct	3.5	1075	59 x 27 x 46	Vertical	N/A	Optional

\*115 PSI Max.

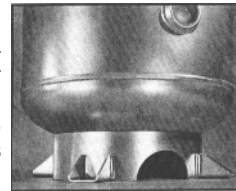
\*\*Consult factory for weight & dimensions.

# Industrial Pressure Vessels & Air Receivers



## BASE RING

Manchester base ring assemblies for vertical receivers provide greater stability than angle legs. The "mouse holes" provide easy access to the drain connection and facilitate easy cleaning. Also, additional stability is achieved with Manchester's U-channel mounting brackets.



## WINGED FEET

Manchester's "wings" foot design has been engineered to broaden the contact area for improving weigh distribution and stability for horizontal air receivers. Also, the flat bottomed foot enables lateral repositioning of assembled unit.

