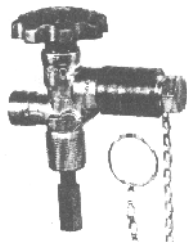
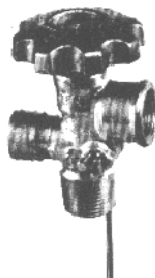
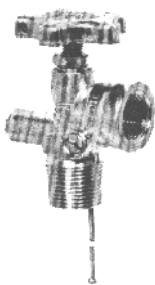
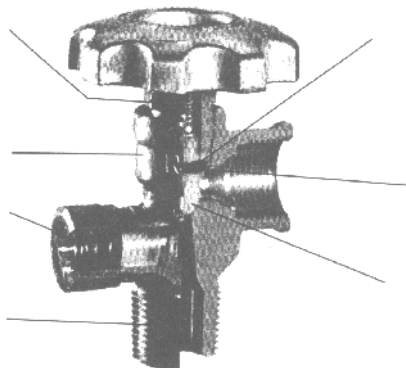




## Cylinder Valves

Valve Stems-On 901, 903, 904,



### Compact Cylinder Valves for Vapor Withdrawal

These valves are designed for use with smaller DOT LP-Gas cylinders up to 40 lbs. They are most commonly found on barbecue grills and RV containers

Part Number	Container Connection	Service Connection	Fixed Liquid Level Vent Valve Style	Dip Tube Length w/ Deflector	Pressure Relief Valve Setting	For Use in Cylinders w/ Propane Capacity Up To	Accessories
90300			None	None			PGLPL4
90304	1/2" M.NPT	1" FN CGA 580	Skotted	36"	3/8" PSIG	40 lbs	N2P2P
90306				36"			
90308				40"			

Dep. Tube Lengths Varies by Style

### Heavy-Duty Cylinder Valves for Vapor Withdrawal

This heavy duty cylinder valve is designed for vapor withdrawal of DOT cylinders up to 100 lbs propane capacity. It is unused in domestic hook-ups, with RV's and as a heavy duty barbecue cylinder valve

Part Number	Container Connection	Service Connection	Fixed Liquid Level Vent Valve Style	Dip Tube Length w/ Deflector	Pressure Relief Valve Setting	For Use in Cylinders w/ Propane Capacity Up To	Accessories
91000A			None	None			POL Plug
91000B	1/2" M.NPT	1" FN CGA 580	Skotted	42"	3/8" PSIG	100 lbs	N2P2P
91001B				46"			
91001B				50"			

Dep. Tube Lengths Varies by Style

### Tamper Resistant Cylinder Valve with Outlet Check for Vapor Withdrawal

This valve is designed for vapor withdrawal from and protection of DOT cylinders with up to 100 lbs. propane capacity. Ideal for cylinders used in the field by construction crews, utility repair men and plumbers.

Part Number	Container Connection	Service Connection	Fixed Liquid Level Vent Valve Style	Dip Tube Length w/ Deflector	Liquid Withdrawal Tube Length	Pressure Relief Valve Setting	For Use in Cylinders w/ Propane Capacity Up To
91078A	1/2" M.NPT	CGA 580	Skotted	118"	14"	3/8" PSIG	100 lbs